

**MODULAR FILTER
HOLDING FRAMES
WITH REMOVABLE
CLAMPING ARMS
FOR HEPA FILTERS**

FEATURES:

- ☑ Heavy Duty
- ☑ Modular
- ☑ Clamping Arms on Each Corner
- ☑ Gasket and Gel Seal Versions Available
- ☑ Accommodates Two Standard Depths of Filters
- ☑ 14 Gauge Galvanized or Stainless Steel Construction
- ☑ Welded Construction
- ☑ Self-Aligning Holes
- ☑ Dimples Provide Self-Centering Filters

The TRI-LOCK™ HF/HF4 are modular, heavy-duty HEPA filter holding frames with removable clamping arms that can be utilized in new construction or in renovation projects.

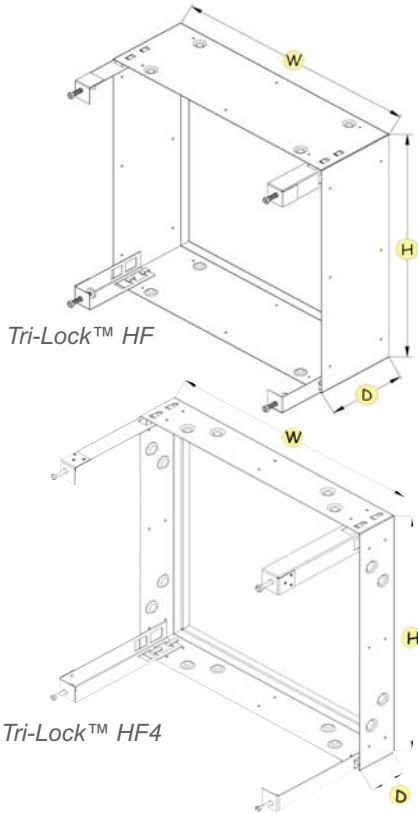
The TRI-LOCK™ holding frames are offered in two different styles and both come in two standard depths to hold a 5-7/8 and 11-1/2 inch deep HEPA filter. Both TRI-LOCK™ HF/HF4 frames are available for either gasket or gel seal HEPA filters.

Both models of the TRI-LOCK™ HEPA holding frames are constructed of 14 gauge galvanized steel or optional 14 gauge stainless steel. The clamping arms are constructed of 18 gauge materials. All joints are continuous welded and free from all burrs and sharp edges to prevent damage to filters.

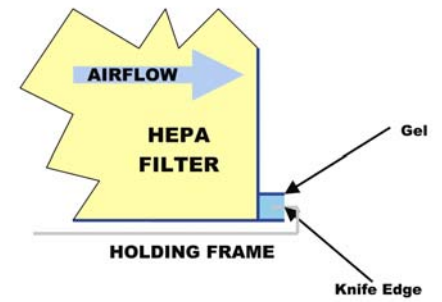
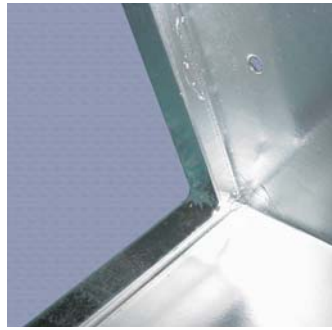
The standard TRI-LOCK™ HF frame offers a frame body that is 8 inches deep for applications that require a more robust frame. The TRI-LOCK™ HF4 is a 3-3/4 inch deep frame for standard applications. Both models utilize removable clamping arms located in each corner to securely compress the filter against the frame reducing the potential for air bypass.

The TRI-LOCK™ HF/HF4 HEPA holding frames are designed for easy modular assembly by either pop riveting or by using nuts and bolts through the self-aligning installation holes that are pre-drilled during manufacturing. Frames include dimples that provide self-alignment of the HEPA filters.

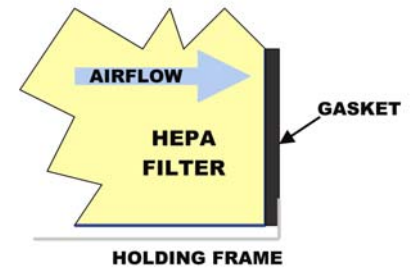
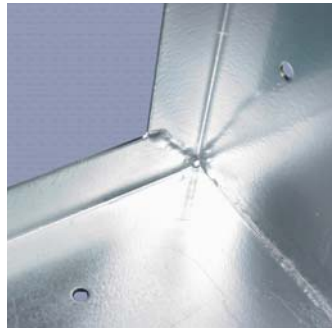
TRI-LOCK™ Drawings



GEL SEAL DETAIL



GASKET SEAL DETAIL



Tri-Dim recommends that stiffener bars be used when the TRI-LOCK™ HF/HF4 bank is more than three rows high. Stiffener bars should be used every two rows and should be riveted or bolted between frames. All cracks between frames, ductwork and stiffener bars should be sealed with RTV sealant.

TRI-LOCK™ HF/HF4 SPECIFICATIONS

ACTUAL HOLDING FRAME SIZE (Inches)	DEPTH HF FRAME (Inches)	DEPTH HF4 FRAME (Inches)	ACTUAL FILTER SIZE FOR FRAME (Inches)
12 x 24	8	3- ³ / ₄	11- ³ / ₈ x 23- ³ / ₈ x 11- ¹ / ₂
24 x 12	8	3- ³ / ₄	23- ³ / ₈ x 11- ³ / ₈ x 11- ¹ / ₂
12- ⁵ / ₈ x 24- ⁵ / ₈	8	3- ³ / ₄	12 x 24 x 11- ¹ / ₂
24- ⁵ / ₈ x 12- ⁵ / ₈	8	3- ³ / ₄	24 x 12 x 11- ¹ / ₂
24 x 24	8	3- ³ / ₄	23- ³ / ₈ x 23- ³ / ₈ x 11- ¹ / ₂
24- ⁵ / ₈ x 24- ⁵ / ₈	8	3- ³ / ₄	24 x 24 x 11- ¹ / ₂

Note: Depth of Tri-Lock HF and HF4 Holding Frame does not include Removable Clamping Arms

Tri-Dim Filter Corporation is committed to continual product development – all descriptions and specifications are subject to change without notice.
Tri-Dim® and Tri-Dek® are Registered Trademarks of Tri-Dim Filter Corporation. Tri-Lock™ and Tri-Pure™ is a Trademark of Tri-Dim Filter Corporation.



TRI-DIM FILTER CORPORATION
P.O. BOX 466 • 93 INDUSTRIAL DRIVE
LOUISA, VA 23093

(540) 967-2600 • FAX: (540) 967-2835

EMAIL: info@tridim.com • Website: www.tridim.com
TOLL FREE 1-800-458-9835

Local Representation:

BROCHURE #2500-7
Revision: 08/2008



PLEASE RECYCLE - This paper may not be recyclable in your area if facilities do not exist.
This brochure is printed on paper that is certified by the Sustainable Forestry Initiative (SFI) - for more information go to www.sfi-program.org.