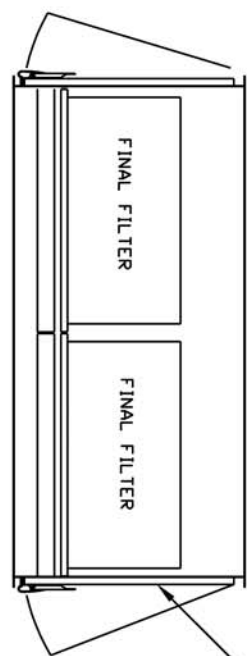
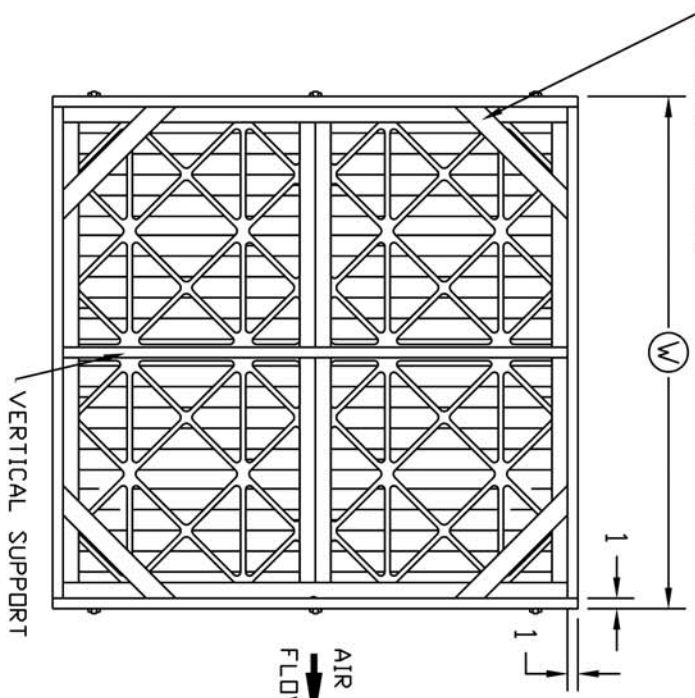


NOTE: STANDARD UNIT IS RIGHT HAND ACCESS
DOORS BOTH SIDES OF HOUSINGS OVER TWO WIDE



UPSTREAM SIDE

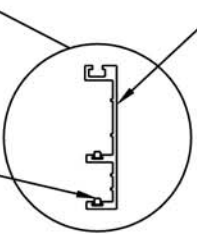


UPSTREAM SIDE

ACCESS HOUSING

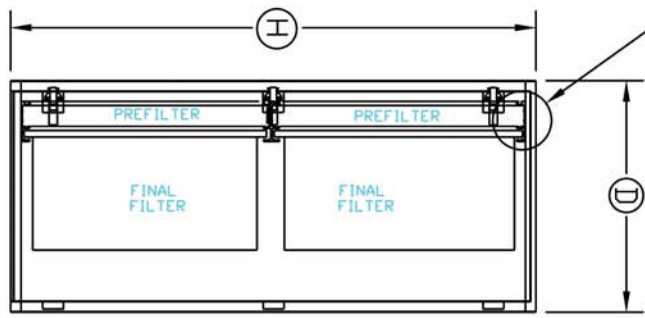
SPECIFICATION

- 1.) 16 GAGE GALVANIZED STEEL CONSTRUCTION.
- 2.) EXTRUDED ALUMINUM FILTER TRACKS WITH WOVEN NYLON PILE SEAL.
- 3.) DOORS SEALED WITH CLOSED CELL NEOPRENE GASKETING.
- 4.) TWO POUND DENSITY URETHANE FOAM INSIDE ACCESS DOORS GASKETS FILTERS.
- 5.) METAL TO METAL COMPONENTS SEALED WITH SILICONE COMPOUND.
- 6.) DOORS FITTED WITH QUICK ACTION, POSITIVE PRESSURE TRIP LOCK LATCHES.



EXTRUDED ALUMINUM FILTER TRACK 2" OR 4" PREFILTER WITH A 1" HEADER FILTER

WOVEN NYLON SEAL



DOOR VIEW

HEIGHT	DIMENSION "H"
1/2	14 1/4"
1	26 1/4"
1 1/2	38 1/2"
2	50 1/2"
2 1/2	62 3/4"
3	74 3/4"
3 1/2	87"
4	99"

WIDTH	DIMENSION "W"
1/2	13 5/8"
1	25 3/4"
1 1/2	37 1/4"
2	49 1/4"
2 1/2	60 7/8"
3	72 7/8"
3 1/2	84 5/8"
4	96 1/2"
4 1/2	108 1/8"
5	120 1/8"
5 1/2	131 3/4"
6"	143 3/4"

DEPTH "D"
22 1/4"
34 1/4"
42"

NOTE: ALL HOUSING DIM ARE EXACT SIZE

HOUSING CONFIGURATION _____ X _____
 HOUSING DIM: (H) _____ (W) _____ (D) _____
 HOUSINGS REQUIRED: _____

<p>TRI-DIM FILTER CORPORATION CORPORATE HEADQUARTERS: 93 INDUSTRIAL DRIVE LDUISA, VA. 23093</p>		<p>INTERNATIONAL DIM TECHNOLOGY</p>
DRAWN BY: B. DUFFY TITLE: TRI-MET SA POLY SEAL SIDE ACCESS HOUSING	APPROVED BY: B. DUFFY DATE: 05-30-03	DRAWING NUMBER: TMSA-0001
<p>INTERNATIONAL ENGINEERING TECHNOLOGY, INC.</p>	SCALE: -	REV.: A