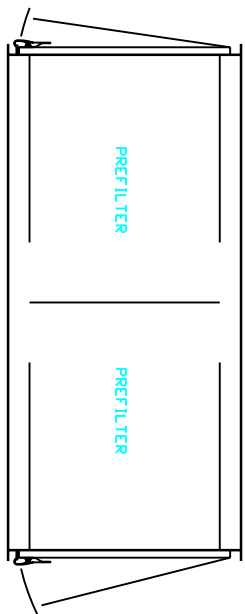
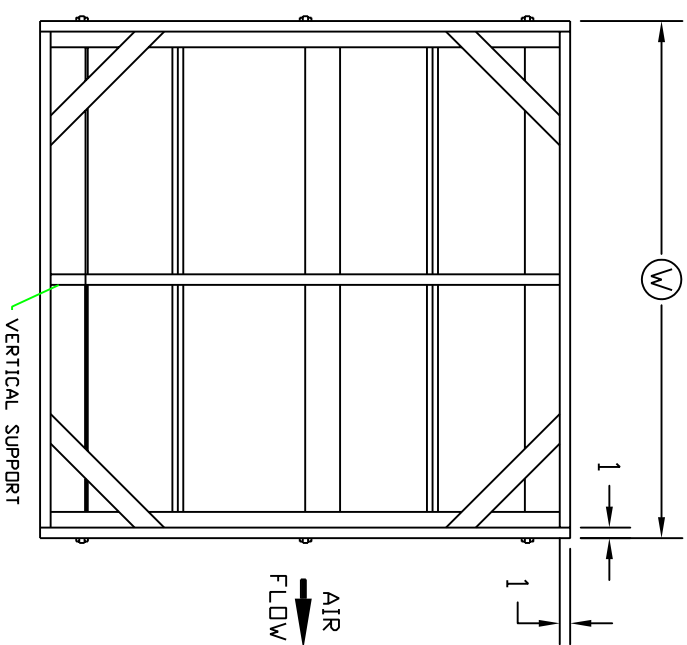


DOORS BOTH SIDES OF HOUSINGS
OVER TWO WIDE

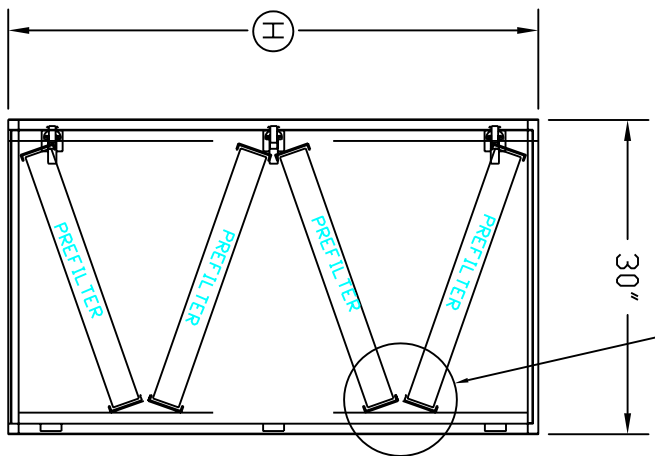
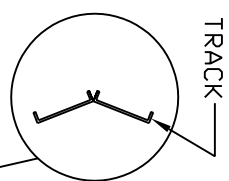


TOP VIEW



UPSTREAM SIDE

2" OR 4" PREFORMED GALVANIZED TRACK



DOOR VIEW

V-BANK ASHRAE HOUSING SPECIFICATION

- 1.) 16 GAGE GALVANIZED STEEL CONSTRUCTION.
- 2.) FORMED 16 GAGE GALVANIZED FILTER TRACK
- 3.) DOORS SEALED WITH CLOSED CELL NEOPRENE GASKETING.
- 4.) TWO POUND DENSITY URETHANE FOAM INSIDE ACCESS DOORS GASKETS FILTERS.
- 5.) METAL TO METAL COMPONENTS SEALED WITH SILICONE COMPOUND.
- 6.) DOORS FITTED WITH QUICK ACTION, POSITIVE PRESSURE TRIP LOCK LATCHES.

NOTE: STANDARD UNIT IS RIGHT HAND ACCESS

HEIGHT	DIMENSION "H"
1/2	14 1/4"
1	26 1/4"
1 1/2	38 1/2"
2	50 1/2"
2 1/2	62 3/4"
3	74 3/4"
3 1/2	87"
4	99"

WIDTH	DIMENSION "W"
1/2	13 5/8"
1	25 3/4"
1 1/2	37 1/4"
2	49 1/4"
2 1/2	60 7/8"
3	72 7/8"
3 1/2	84 5/8"
4	96 1/2"
4 1/2	108 1/8"
5	120 1/8"
5 1/2	131 3/4"
6"	143 3/4"

NOTE: ALL HOUSING DIM ARE EXACT SIZE

HOUSING CONFIGURATION _____ X _____
 HOUSING DIM: (H) _____ (W) _____ (D) _____
 HOUSINGS REQUIRED: _____

<p>TRIADIM FILTER CORPORATION CORPORATE HEADQUARTERS: 93 INDUSTRIAL DRIVE LOUISA, VA. 23093</p>		DRAWN BY: B. DUFFY		APPROVED BY: B. DUFFY	DATE: 05-30-03	SCALE: -
		TITLE: TRI-MET VB		DRAWING NUMBER: TMVB-0001		REV: A
<p>INDUSTRIAL TECHNOLOGY, INC.</p>		<p>INDUSTRIAL TECHNOLOGY</p>				