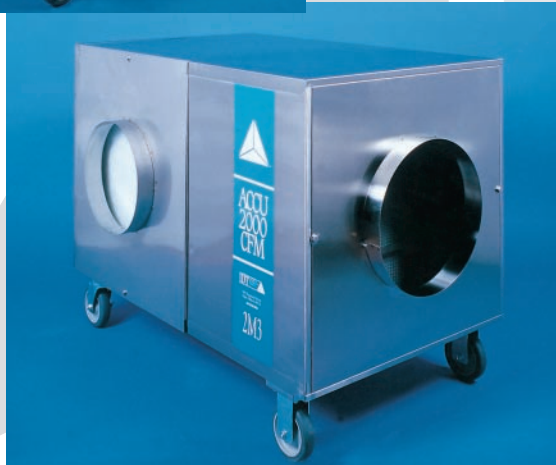


ACCU-2M3

ABSOLUTE CONTAMINATION CONTROL UNIT

IDT's ACCU units were developed to handle the rigorous demands of micro-decontamination operations where reliable, high volume air filtration is essential to safety and productivity. Today there is a unit for virtually every size and type of air filtration job.



Specifications

ACCU-2M3

Absolute Contamination Control Unit

HEPA Efficiency 99.97%
Air Flow in C.F.M. 2000 & 1600
Speed Adjustment 2-speed
Power Requirement 115/1/60
Amps 10
Dimensions H: 33", W: 27",
L: 43"
Housing Stainless Steel
Pre-filter Size (2) 25" x 25"
HEPA Size 24" x 24" x 12"
Weight 180 lbs.

Typical Uses for the ACCU-2M3

- Pharmaceutical Industries
- Computer Centers
- Electronic Industries
- Lithography Industries
- Food Processing Industries
- Chemical Trades
- Film Processing Plants
- Schools and Universities
- Hospitals
- Laboratories
- Commercial Buildings
- Industrial Plants
- Shopping Centers
- High-Rise Apartments
- Safety Industries
- Asbestos Remediation
- Mold Remediation
- Construction Contractors

Outstanding Features

- Compact
- Portable
- No duct work required
- No installation required
- Easily adapted for permanent installation
- Low electrical consumption
- Virtually maintenance free
- Plugs in 110/120 outlet
- Variety of filter sizes available
- Dual inlet design provides twice the prefiltered area of competitive units

INNOVATION IN AIR FILTRATION



Midwest Regional Sales Office:

999 Raymond Street
Elgin, IL 60120
Fax: 847/695-7938
Phone: 847/695-2600

80601-0125
2M3 S.S. Supply Grill
(Typ. of both sides)

80601-0109
2M3 S.S. Cabinet

80601-0129
2M3 S.S. Discharge Grill

Control Panel Has Been
Rotated 90 Degrees to show
Instruments.

80602-0088
Dwyer 1" Gauge

80603-0098
15 Amp Breaker

80602-0055
Dwyer 2" Gauge

80602-0053
KB Knob #9801

80603-0089
Panel Outlet

80604-0105
LAU Blower & Housing

80603-0027
20 MFD Capacitors

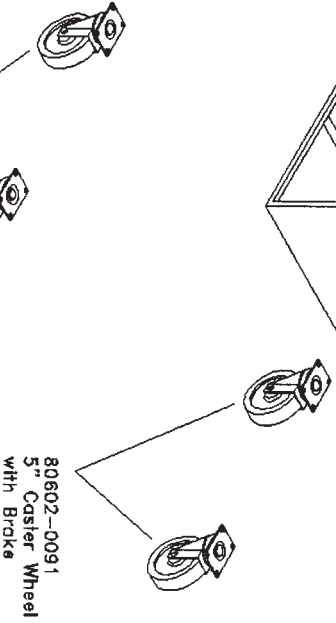
80604-0108
GE Motor

80606-0093
HCS 1/4-20 x 1-3/4"

80606-0082
1/4-20 Washer

80606-0081
1/4-20 Nylok Nut

80604-0107
Motor Mount
with Grommets



80602-0090
5" Castor Wheel

