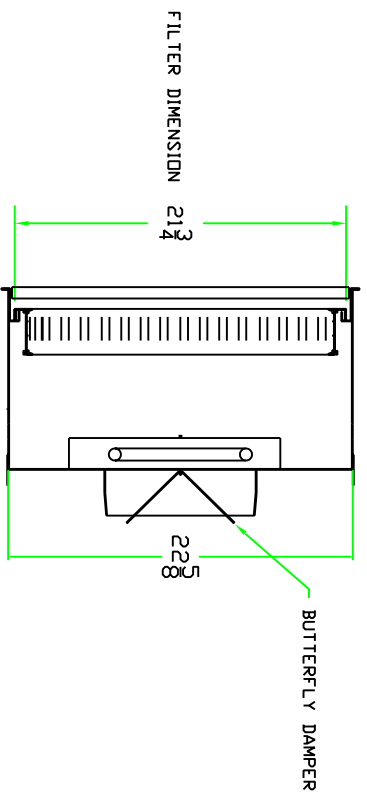
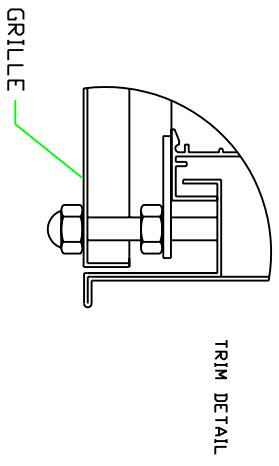


BOTTOM VIEW

CENTER OF KNIFE EDGE 21 X 43 1/4

- SPECIFICATIONS**
1. CONSTRUCTION: THE HOOD SHALL BE CONSTRUCTED OF .063 ALUMINUM. ALL STRAIGHT SEAMS OF THE PLENUM SHALL BE CONTINUOUSLY WELDED. ALL OTHER JOINT SHALL BE INTERMITTENTLY WELDED AND SEALED WITH RTV SEALANT.



END VIEW

TOLERANCE ON DIMENSIONS UNLESS OTHERWISE SPECIFIED:

XX ±

XXX ±

XXXX ±

LET.	DATE	REVISION	BY
<p><b>TRI-DIM</b> FILTER CORPORATION CORPORATE HEADQUARTERS: 93 INDUSTRIAL DRIVE LOUISA, VA. 23093</p>		<p>DRAWN BY: S. MILLER</p> <p>APPROVED BY: B. DUFFY</p> <p>DATE: 06-18-03</p>	<p>SCALE: -</p>
<p>INDUSTRIAL DESIGN TECHNOLOGY</p>		<p>DRAWING NUMBER: TPGSR-0000</p>	